

June 7, 2018

Version 2

Roof Molding Front End Caps are Loose

Supersedes 18-040, dated May 18, 2018, to revise the information highlighted in **yellow**

AFFECTED VEHICLES

Year	Model	Trim	VIN Range
2016	Pilot	ALL	ALL
2017			ALL
2018		2WD	5FNYF5...JB000001 - 5FNYF5...JB018118
		AWD	5FNYF6...JB000001 - 5FNYF6...JB036028
2017	Ridgeline	ALL	ALL
2018			ALL
2019		2WD	5FPYK2...KB000001 - 5FPYK2...KB000394
		AWD	5FPYK3...KB000001 - 5FPYK3...KB001652

REVISION SUMMARY

Under **WARRANTY CLAIM INFORMATION**, Repair Procedure **Description** revised.

SYMPTOM

The roof molding front end caps become loose and lift away from roof panel.

POSSIBLE CAUSES

The roof molding front end caps are not held on securely.

CORRECTIVE ACTION

Remove the existing roof moldings, and install the replacement roof molding kit with revised front-end caps.

CUSTOMER INFORMATION:The information in this bulletin is intended for use only by skilled technicians who have the proper tools, equipment, and training to correctly and safely maintain your vehicle. These procedures should not be attempted by "do-it-yourselfers," and you should not assume this bulletin applies to your vehicle, or that your vehicle has the condition described. To determine whether this information applies, contact an authorized Honda automobile dealer.

PARTS INFORMATION

NOTE

Each kit contains parts to replace the left and right roof molding.

Part Name	Part Number	Quantity
Pilot with Roof Rack - Roof Rail Molding Kit	74306-TG7-307	1
Pilot without Roof Rack - Roof Rail Molding Kit	74306-TG7-306	1
Ridgeline - Roof Rail Molding Kit	74306-T6Z-306	1

REQUIRED MATERIALS

Part Name	Part Number	Quantity
Masking Tape	Commercially Available	1

WARRANTY CLAIM INFORMATION

The normal warranty applies.

Operation Number	Description	Flat Rate Time	Defect Code	Symptom Code	Template ID	Failed Part Number
8141N0	Repair Procedure A - Pilot without Roof Rails - Install replacement roof molding kit.	0.5 hr	06201	03217	A18040A	74316-TG7-A01
8141N0	Repair Procedure B - Pilot with Roof Rails - Install replacement roof molding kit.	0.5 hr	06201	03217	A18040B	74316-TG7-A01
8141N0	Repair Procedure C - Ridgeline - Install replacement roof molding kit.	0.5 hr	06201	03217	A18040C	74316-T6Z-A00

Skill Level: Repair Technician

REPAIR PROCEDURE

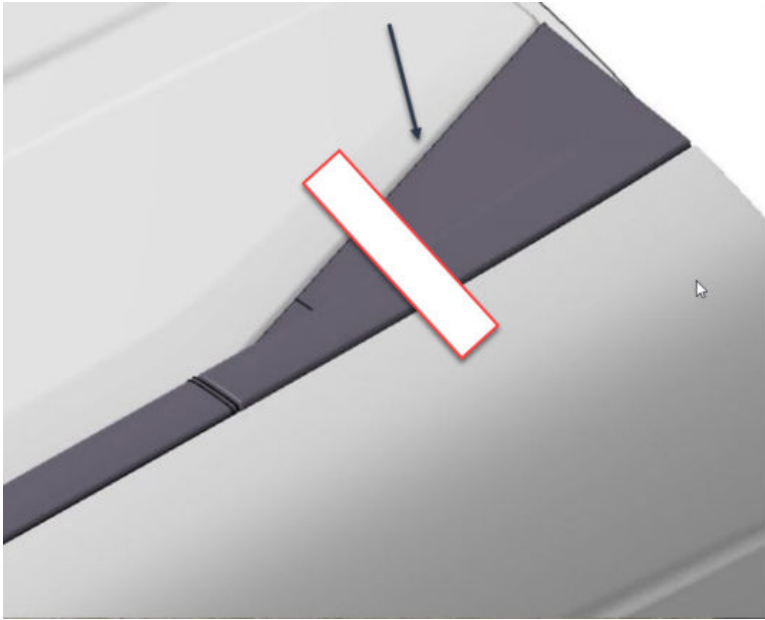
- **Pilot without Roof Rails** - Refer to Repair Procedure A
- **Pilot with Roof Rails** - Refer to Repair Procedure B
- **Ridgeline** - Refer to Repair Procedure C

Repair Procedure A - Pilot without Roof Rails

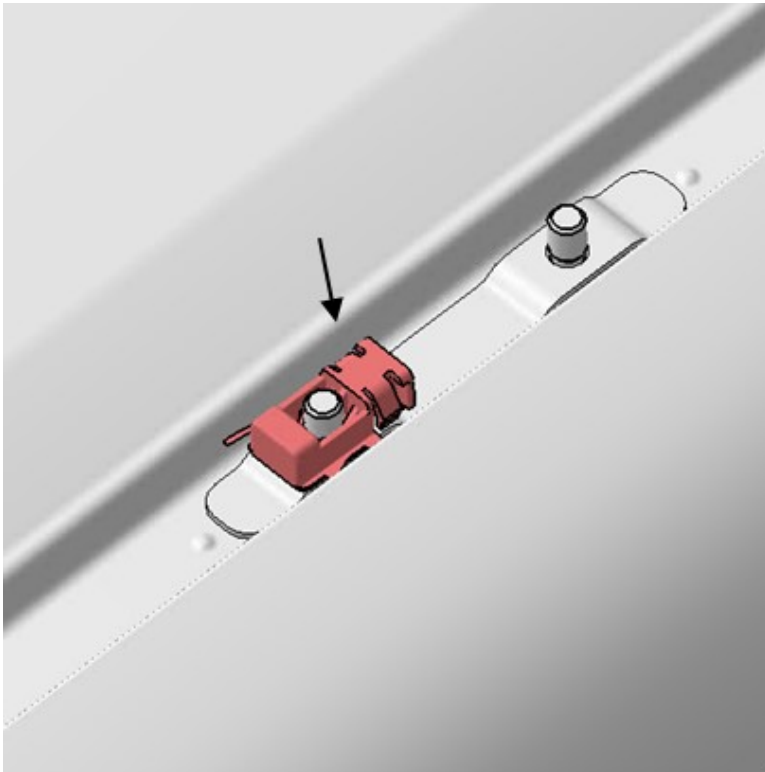
1. Secure the tailgate hinge cover with masking tape to avoid moving or damaging the cover.

NOTE

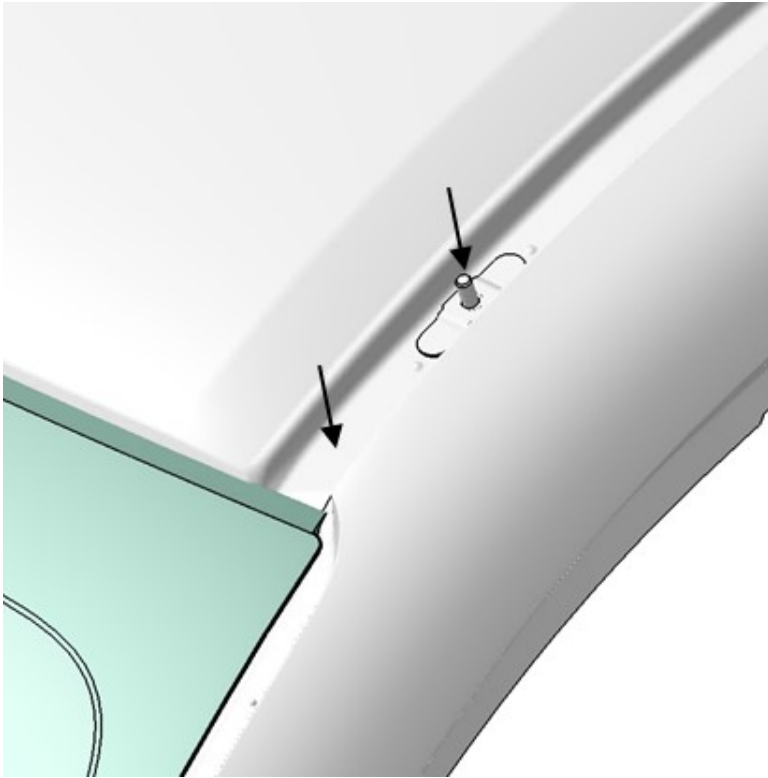
Do not remove the hinge cover.



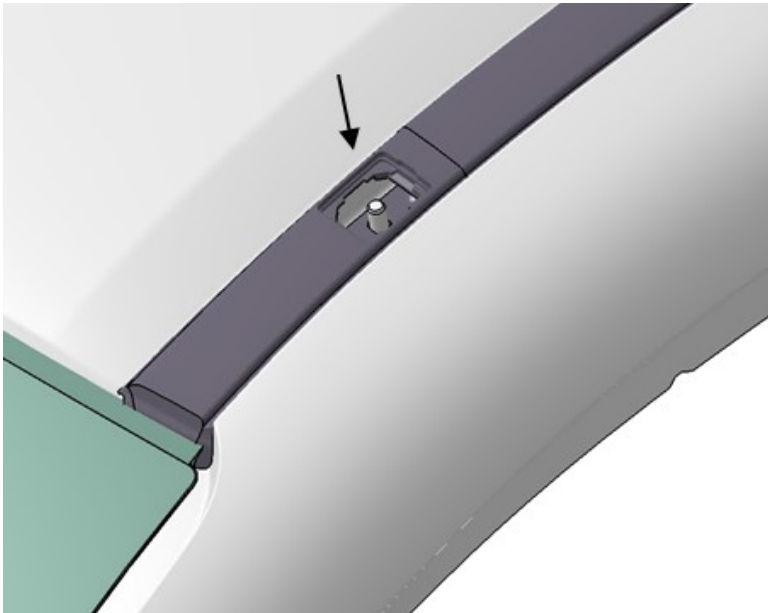
2. Remove the existing roof molding and replace all clips with the parts supplied in the roof rail molding kit.



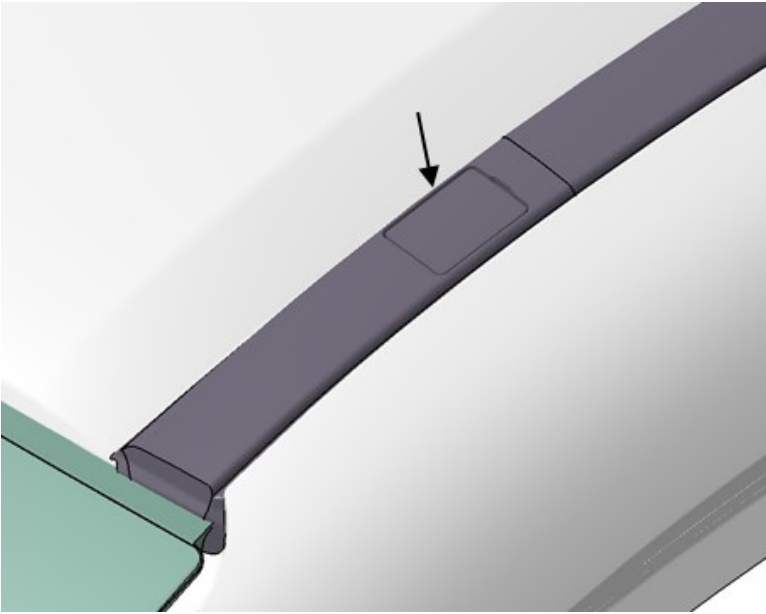
3. Remove any adhesive from the stud threads and the body.



4. Install the new roof molding, and secure it with the supplied nut. Torque it to **6.8 -11.7 N•m (5.0 - 8.6 lb-ft)**.



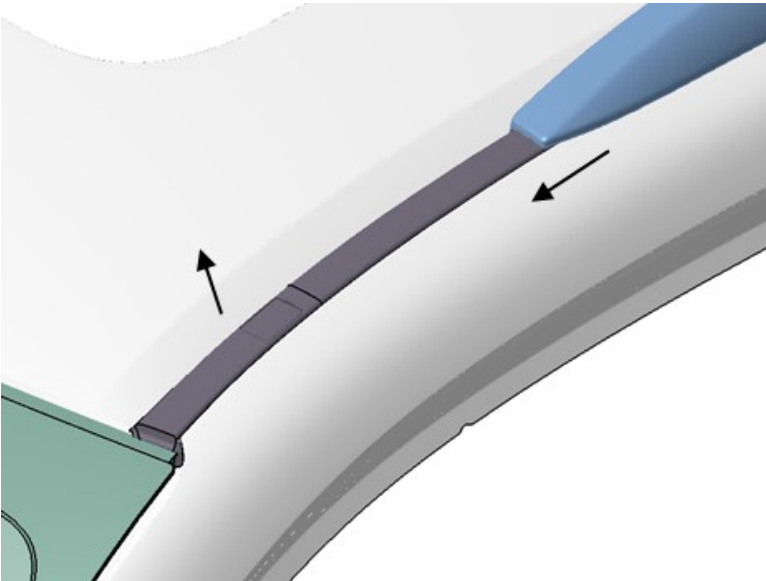
5. Install the nut access cover.



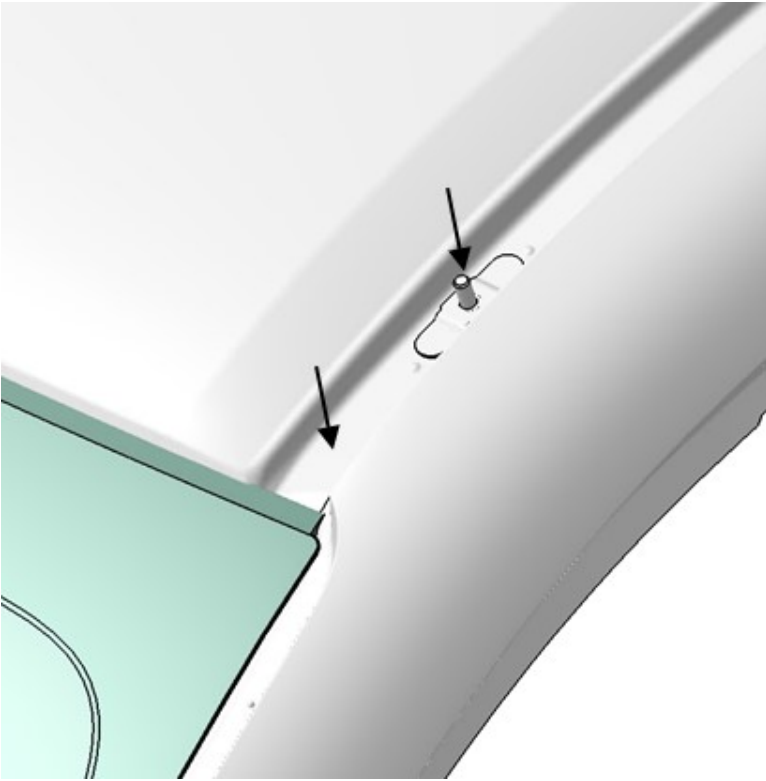
6. Replace the roof molding on other side following the same procedure.

Repair Procedure B - Pilot with Roof Rails

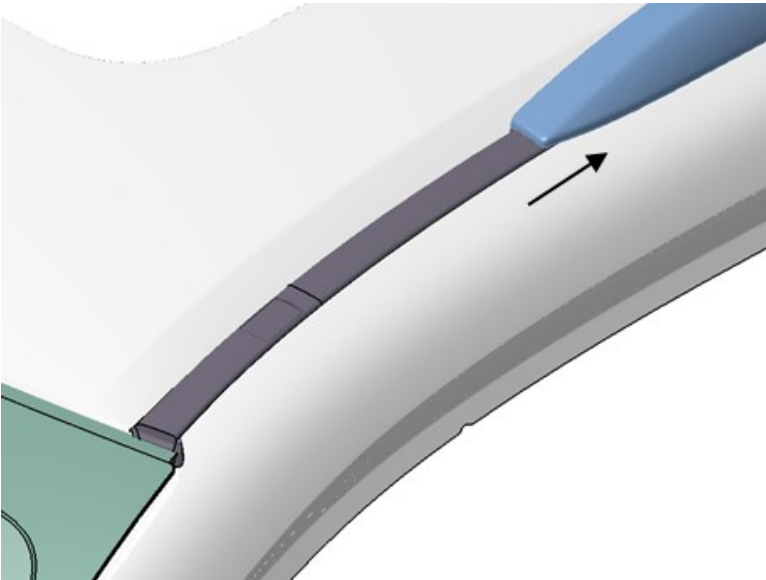
1. Remove the roof molding.



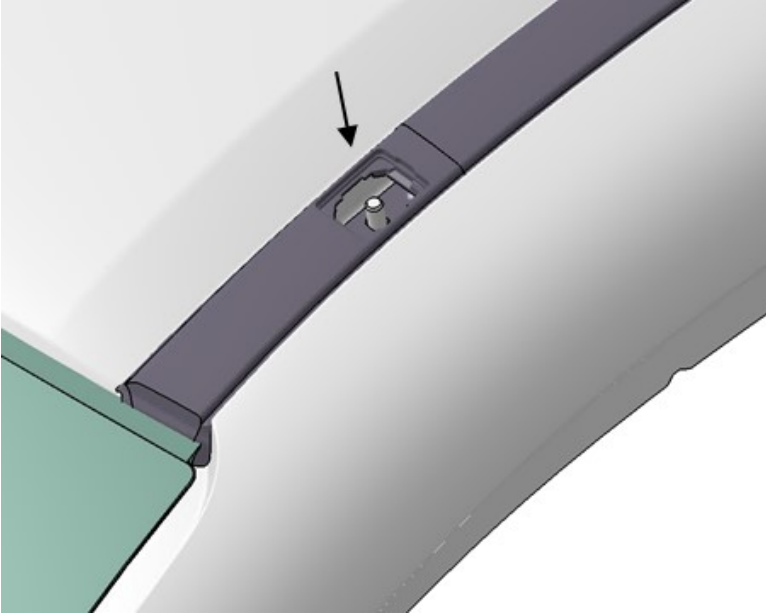
2. Remove any adhesive from the stud threads and the body.



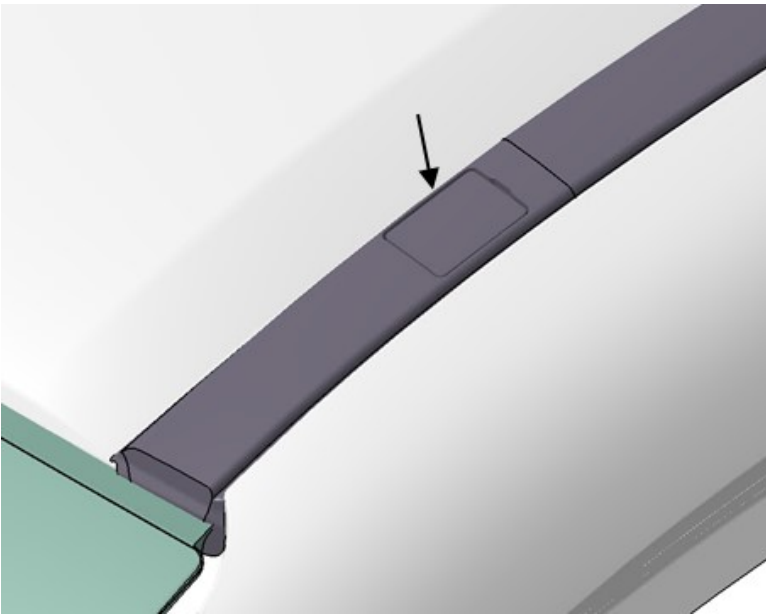
3. Slide the new molding under the roof rail.



- Secure the molding with the supplied nut and torque it to **6.8 -11.7 N•m (5.0 - 8.6 lb-ft)**.



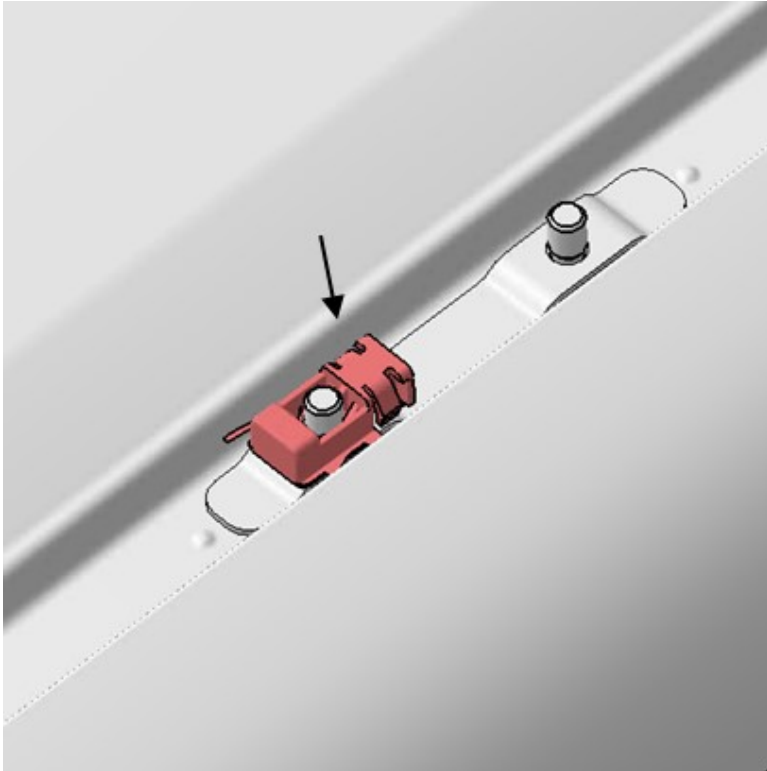
- Install the nut access cover.



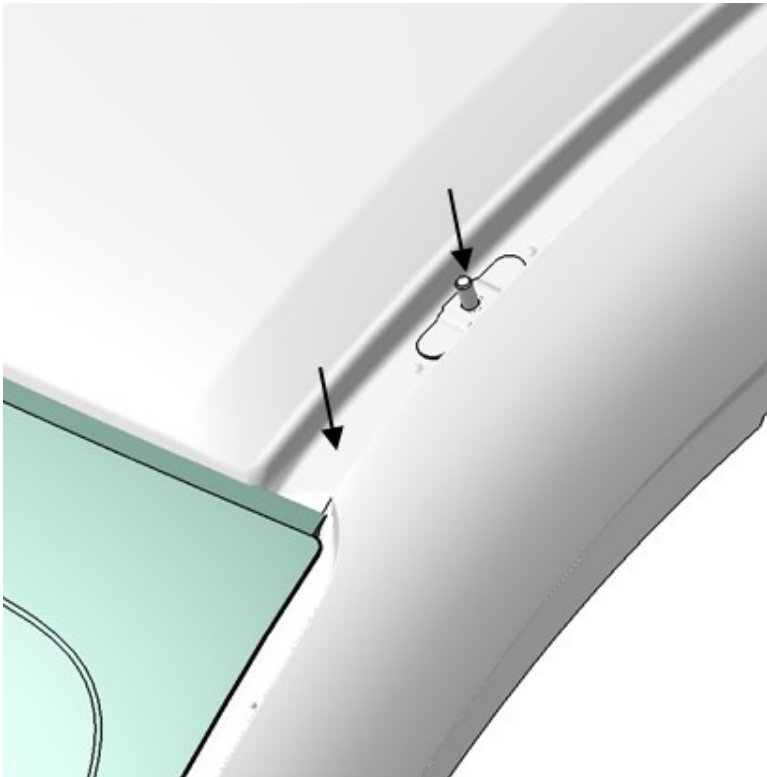
- Replace the roof molding on other side following the same procedure.

Repair Procedure C - Ridgeline

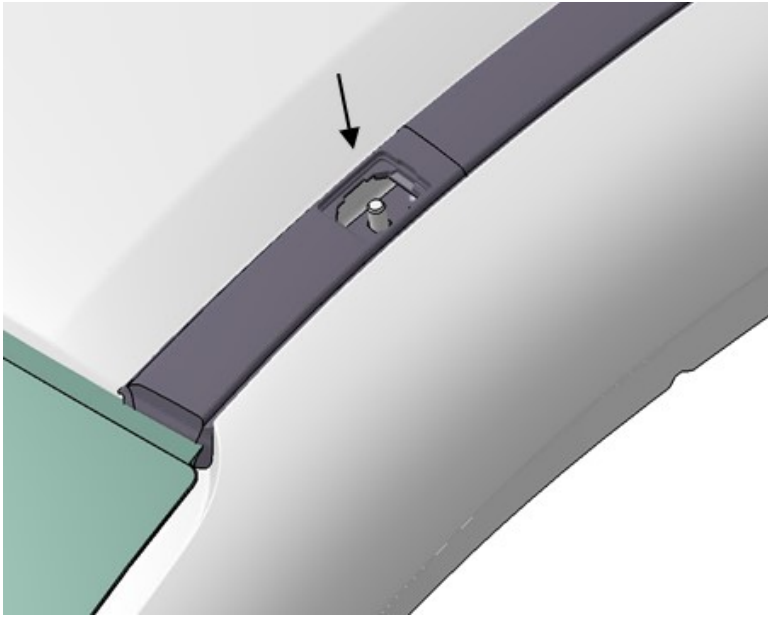
1. Remove the existing roof molding and replace all clips with the parts supplied in the roof rail molding kit.



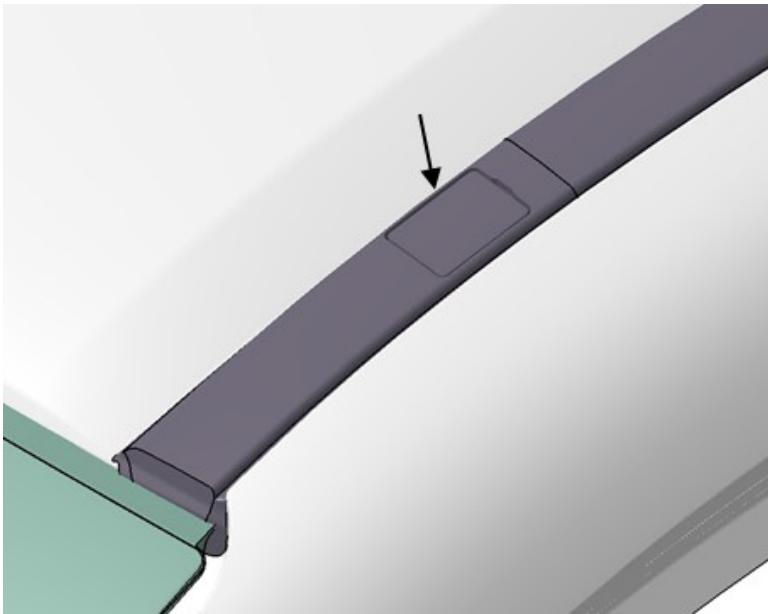
2. Remove any adhesive from the stud threads and the body.



3. Install the new roof molding and secure it with the supplied nut. Torque it to **6.8 -11.7 N•m (5.0 - 8.6 lb-ft)**.



4. Install the nut access cover.



5. Replace the roof molding on other side following the same procedure.

END