

September 28, 2018

Version 1

Safety Recall: 2019 Ridgeline SRS Unit

AFFECTED VEHICLES

Year	Model	Trim	VIN Range
2019	Ridgeline	ALL	Check the iN VIN status for eligibility.

BACKGROUND

An internal component failure in the SRS unit may cause the SRS not to operate properly.

CUSTOMER NOTIFICATION

Owners of affected vehicles will be sent a notification of this campaign.

Do an iN VIN status inquiry to make sure the vehicle is shown as eligible.

Some vehicles affected by this campaign may be in your new or used vehicle inventory.

Failure to repair a vehicle subject to a recall or campaign may subject your dealership to claims or lawsuits from the customer or anyone else harmed as a result of such failure. To see if a vehicle in inventory is affected by this safety recall, do a VIN status inquiry before selling it.

CORRECTIVE ACTION

Replace the SRS unit.

PARTS INFORMATION

Part Name	Part Number	Quantity
SRS Unit	77960-T6Z-A03	1
TORX Ground Bolt	90137-S84-A01	3

CUSTOMER INFORMATION: The information in this bulletin is intended for use only by skilled technicians who have the proper tools, equipment, and training to correctly and safely maintain your vehicle. These procedures should not be attempted by "do-it-yourselfers," and you should not assume this bulletin applies to your vehicle, or that your vehicle has the condition described. To determine whether this information applies, contact an authorized Honda automobile dealer.

TOOL INFORMATION

Part Name	Part Number	Quantity
1/4" Drive TORX T30 Stubby Bit Socket (commercially available)	BLPTS1430 (Snap-on)	1

NOTE

This is a commercially available tool and not a Honda special tool. The use of this or similar TORX T30 Stubby Bit Socket is recommended.

WARRANTY CLAIM INFORMATION

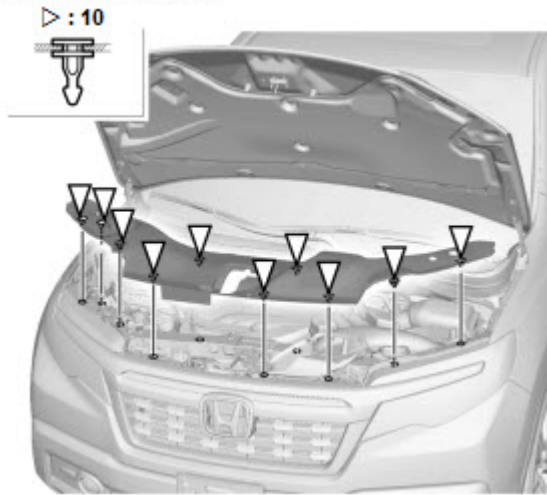
Operation Number	Description	Flat Rate Time	Defect Code	Symptom Code	Template ID	Failed Part Number
7511C2	Replace the SRS unit (includes SRS software check/update and front passenger seat weight sensor initialization)	0.8 hr	6PA00	C2P00	A18108A	77960-T6Z-A03

Skill Level: Repair Technician

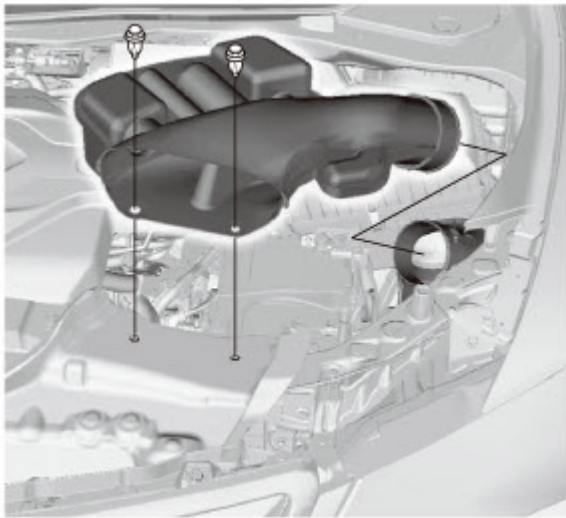
REPAIR PROCEDURE

1. Remove the front bulkhead cover.

Fastener Locations



2. Remove the air intake tube.

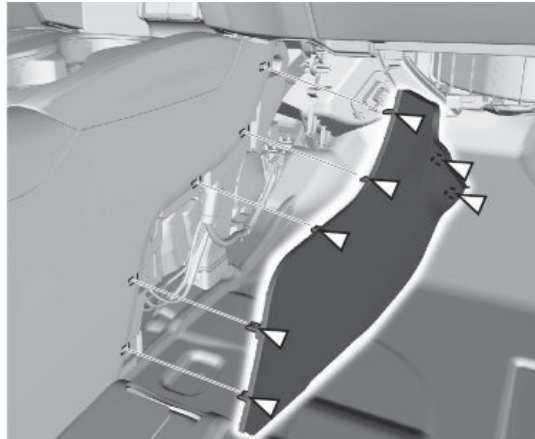
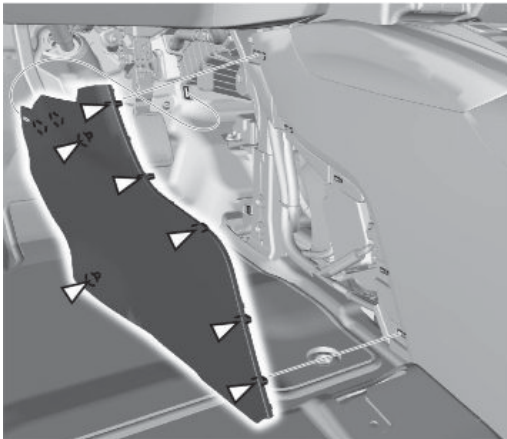


3. Disconnect the 12-volt battery. Refer to the service information.

NOTE

Wait at least 3 minutes before starting work.

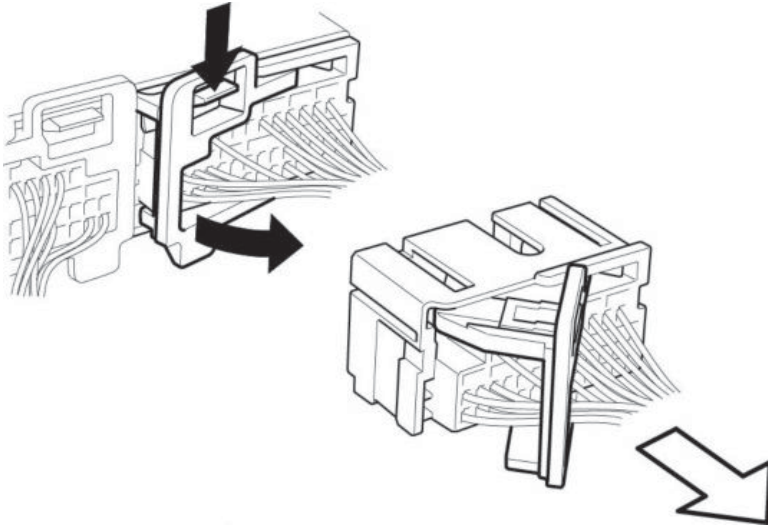
4. Remove the driver's and passenger's center console side covers.



5. Disconnect the SRS unit connectors.

NOTE

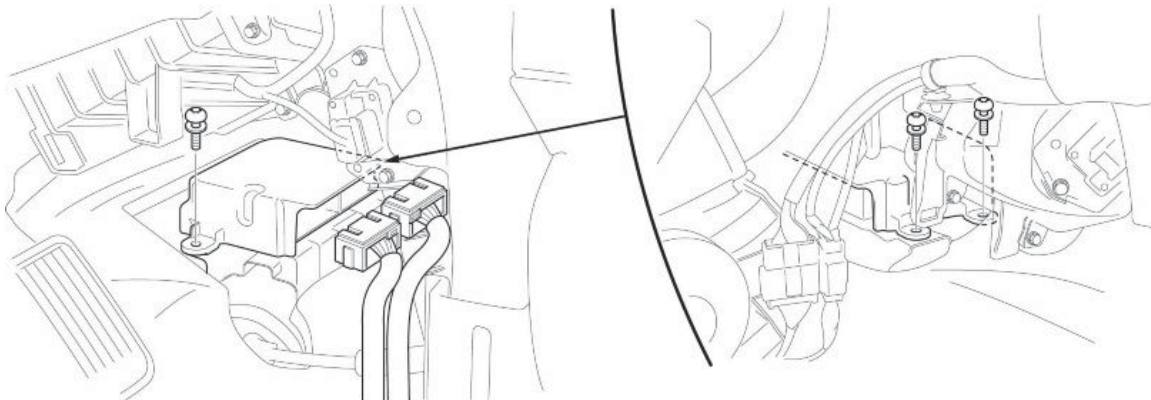
The SRS unit connectors have lever locks. Release the locks before attempting to disconnect the connectors. To release the lock, pull the lever while pushing the lock on the outside of the connector, then pull out the connector.



6. Remove the three T30 TORX bolts securing the SRS unit.

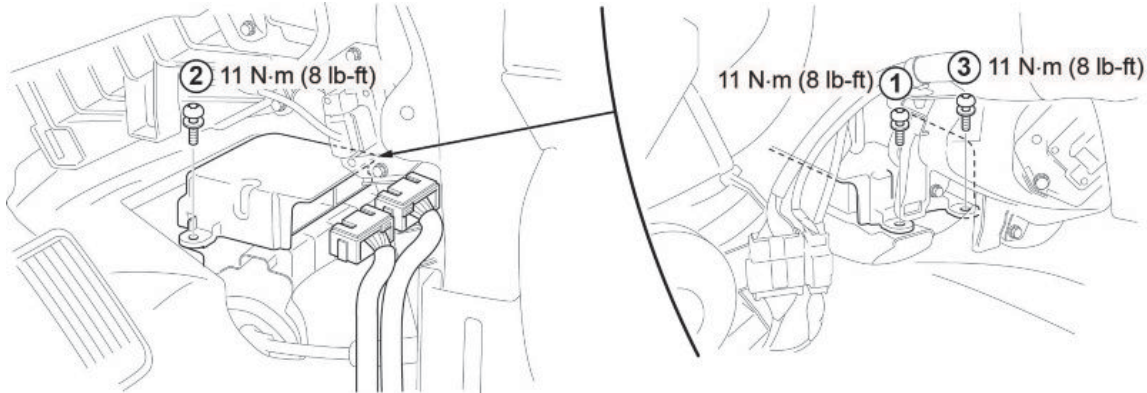
NOTE

The passenger side forward bolt will need the use of the 1/4" drive TORX T30 stubby bit socket and 1/4" drive ratchet to remove the bolt.



7. Mark and remove the old SRS unit and install the new unit.

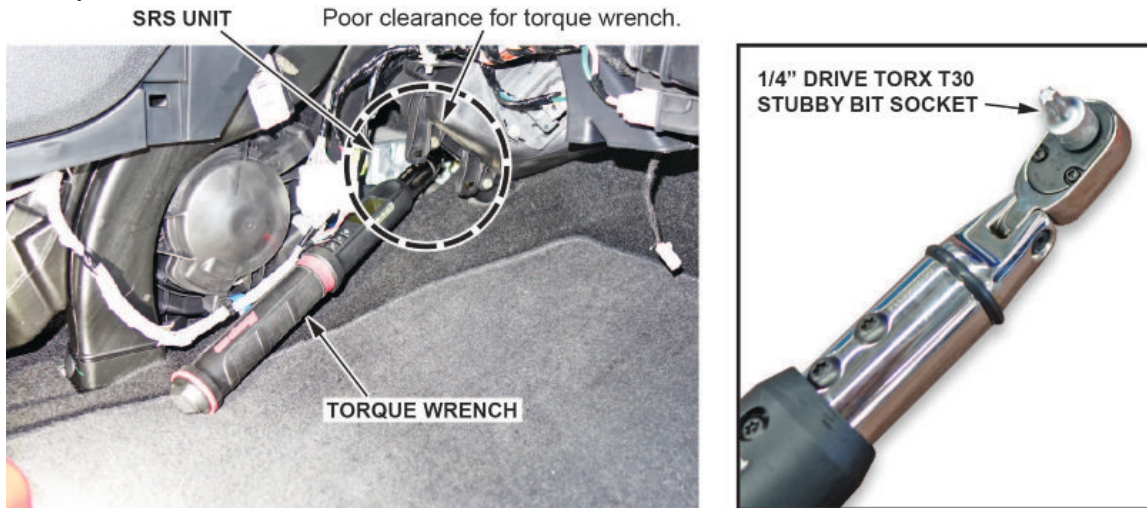
8. Tightening the new bolts to **11 N·m (8 lb-ft)** in the numbered sequence shown below.



NOTE

The three TORX bolts must be replaced when installing new SRS unit.

To apply the proper torque of **11 N·m (8 lb-ft)** to the TORX bolts use 1/4" drive torque wrench and a TORX T30 Stubby Bit Socket as shown below.



9. Connect the 12-volt battery. Refer to the service information.
10. With the i-HDS, check that the SRS unit has the latest software. If it does not have the latest, update the software in the SRS unit.

NOTE

When updating control units, use the most current version of the i-HDS software and interface device.

11. Do the FRONT PASSENGER'S WEIGHT SENSOR INITIALIZATION. Refer to the procedure below.
12. Confirm SRS operation by turning the vehicle to the ON mode, and check that the SRS indicator comes on for about 6 seconds and then goes off.
13. Install all removed parts in the reverse order of removal. Refer to the service information.

FRONT PASSENGER'S WEIGHT SENSOR INITIALIZATION

NOTES

- When you replace or update the SRS unit, initialize the front passenger's weight sensor with the HDS.
- When you replace or remove the front passenger's weight sensor, the front passenger's seat frame, or the front passenger's seat rail, initialize the front passenger's weight sensor with the HDS.

1. Connect the HDS to the vehicle.
2. Front Passenger's Weight Sensor - Initialize

NOTES

- Before doing this procedure, clear the DTCs.
 - Before doing this procedure, make sure the 12 volt battery is fully charged.
 - Make sure the front passenger's seat and all components of the seat are correctly installed.
 - Make sure nothing is on the front passenger's seat, including aftermarket seat covers or mats.
 - Make sure there is nothing in the front passenger's seat-back pocket.
 - Make sure the vehicle is on level ground.
 - When you perform this procedure, the vehicle temperature must be between 41 - 113 °F (5 - 45°C).
 - When the vehicle is exposed to intense cold or intense heat, move the vehicle inside, open the windows and moonroof (if equipped) and perform this procedure after one hour or more.
 - Do not expose the front passenger's seat to sudden temperature changes.
 - Do not use the A/C and the heater.
 - Do not touch the front passenger's seat and keep the vehicle stationary during this procedure.
 - Do not attach the front seat belt tongue into the buckle.
 - If possible, do all of the above procedures inside.
3. Apply the parking brake.
 4. Position the front passenger's seat all the way rearward and lowermost (if equipped with the height adjuster), then adjust the seat-back to the forward most position.

NOTE

Do not move the seat from this position until the initialization is completed.

5. From the System Selection Menu, select SRS, then Adjustment. In Adjustment, select SWS Initialization. Follow the prompts until the front passenger's weight sensor initialization has been completed.
6. From the System Selection Menu, select SRS, then Data List. In the Data List, select FRONT PASSENGER'S WEIGHT. The weight (T0) of the front passenger's seat is displayed on the Data List. Write this measurement down as "T0" on a piece of paper.
 - If the reading on the HDS (T0) is within ± 0.5 kg (± 1.1 lbs), go to step 5.
 - If the reading on the HDS (T0) is at or not within ± 0.5 kg (± 1.1 lbs), do the following and repeat the procedure from step 1.
 - Confirm that the seat has no interference with surrounding components.
 - Remove the front passenger's weight sensors (if they were not reinstalled), reinstall them, then repeat this procedure from the step 1.
 - If after reinstalling the front passenger's weight sensors, the HDS (T0) is still at or not within ± 0.5 kg (± 1.1 lbs), replace the front passenger's weight sensors, then repeat this procedure from the beginning.
7. Prepare a weight between 10 kg (22 lbs) - 20 kg (44 lbs) then measure and note its actual weight (M) with a weight scale.

NOTES

- The accuracy of the weight scale must be within 1 kg (2 lbs).
 - The weight must be uniform in shape and size to allow precise placement on the seat.
8. Precisely place the prepared weight on center of the front passenger's seat.

9. From the Data List, select FRONT PASSENGER'S WEIGHT. The weight (T) of the front passenger's seat is displayed on the Data List. Write this measurement down as "T" on a piece of paper.

10. Calculate the variance between (M1) and the HDS (T) with the following formula.

$$\text{Variance} = (T) - (M)$$

T: Weight measured by the HDS with the weight on the seat.

M: Half of the weight measured by the weight scale.

- If the variance is within ± 7.3 lbs (± 3.3 kg), initialization is complete. Go to step 10.
- If the variance is at or not within ± 7.3 lbs (± 3.3 kg), do the following and repeat the procedure from step 1.
 - Confirm that the seat has no interference with surrounding components.
 - Confirm that the weight was placed precisely in the center of the seat.
 - Remove the front passenger's weight sensors, reinstall them, then repeat this procedure from the step 1. If the variance is still at or not within ± 7.3 lbs (± 3.3 kg), replace the front passenger's weight sensors (if they were not replaced), then repeat this procedure from step 1.

11. Turn the vehicle to the OFF (LOCK) mode.

END